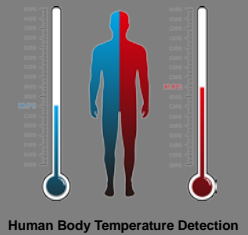


SNT-8D0120TFB-B

AI Human Body Thermal IP Camera

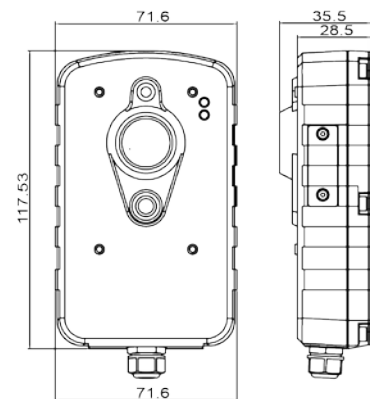
- Thermal & Color Dual Eyes IP Camera
- Thermal Image & Temperature Indicate by IVS-NVR Software
- Accurate AI Thermal Temperature
- 2M Color Image for Visible Person Identify
- Multi-People Fever Detect Application
- Environment Temperature Deep Learning Reset Button
- Fever Temperature Alarm I/O
- Support 12Vdc & PoE
- White LED Light on During Alarm



IP Camera

| | | |
|---------------|--|---|
| Thermal Video | Image Sensor | Uncooled VOx Microbolometer |
| | Resolution;Pixel Size | FLIR (USA) 80×60, Progressive Scan; 17 μm |
| | Spectral Range | Longwave infrared, 8 μm to 14 μm |
| | Angle of View | H: 51°, V: 38°, D: 64° |
| | Full Frame Rates | 9 fps(NTSC); 9 fps(PAL) |
| | Thermal Display | B&W/Color/Reverse |
| | Temperature Detection (Option) | Center & Max. Temperature (MAX 1 M / Tolerance. ±0.5°C) |
| | Temperature Alarm (Option) | (Range30°-45°C) |
| Visible Video | Image Sensor | 1 / 2.9" Sony 2M Exmor CMOS |
| | Video Resolution | 2 Megapixel/1 Megapixel; 1920 × 1080P/1280 × 720@30FPS |
| | Minimum Illumination | Color: 0.1Lux@F2.0, Sense-up: 0.001Lux@F2.0, Light on: 0.0012Lux@F2.0 |
| | White Balance | Support |
| | Image Setting | Brightness, Contrast, Saturation, Sharpness, De-noise, Grayscale |
| | Lens | f6.0mm |
| | WDR | Support |
| | ICR | N/A |
| | Aperture | Fixed Lens |
| | LED ; Working Distance (Meter) | White LEDs ; 5 Meter, Support Manual or Alarm (On/ Off) |
| OSD Menu | English, Japanese, Traditional Chinese, Simplified Chinese | |
| General | TV System | PAL/NTSC |
| | Video Compression | H.264, MPEG4, M-JPG |
| | Browser | IE 10 or Above |
| | Ethernet | 10/100M Auto Negotiation |
| | Bit Rate | 64 up to 12,000 Kbps |
| | ONVIF | Support ONVIF(Profile S) |
| | Protocols | TCP, UDP, HTTP, SMTP, FTP, NTP, DNS, DHCP, PPPoE, ARP, UPnP, RTSP, RTP, SNMP, TRAP, ONVIF, Ethernet(RJ-45 Wired 10/100 Base-TX) |
| | User | Support 9 Users |
| | Security | ID / Password Protection |
| | Alarm Trigger | File Upload via FTP and Email/Notification via Email, HTTP, External Digital Output Activation |
| | Multicast | Support Multicast Function |
| | Connector | RJ45, DC Power, Reset Button, SD Slot |
| | Alarm In / Out | DI / DO |
| | Power Supply; Consumption | 12Vdc/ PoE; 4W |
| | Audio | Line In / Line Out 3.5mm |
| | Temp.; Operation | -10° C ~ 50° C ; RH80% |
| | Dimensions | 71.6(W) x 117.5(H) x 35.5(D)mm |
| Net Weight | 450g | |

Dimensions



Software: IVS-NVR



SNVR-6404B + IVS Software

Option



Relay + Alarm Lamp

*Specifications are subject to change without notice.